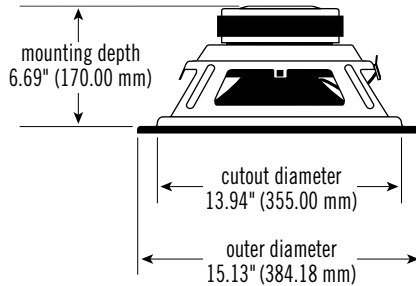


SPECIFICATIONS

DIAMETER: 15" (381.0 mm)
 SENSITIVITY (2.83V @ 1 m): 97 dB
 POWER HANDLING: 300 WRMS
 FREQUENCY RESPONSE: 20 ~ 2,000 Hz
 NOMINAL IMPEDANCE: 4 OHMS (PER COIL)
 VOICE-COIL DIAMETER: 2.0" (50.7 mm)

DIMENSIONS:

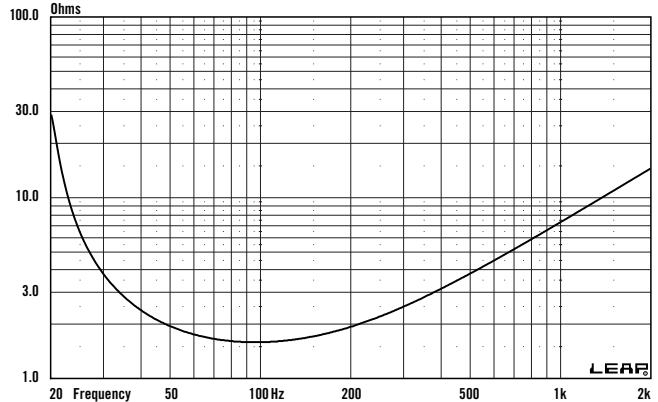


THIELE-SMALL PARAMETERS*

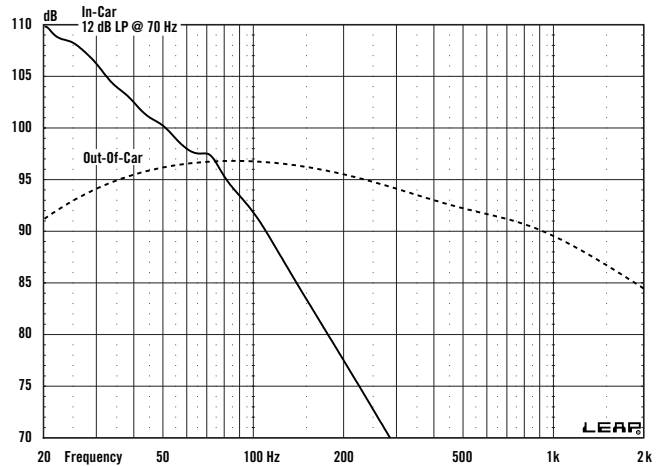
VOICE COIL DC RESISTANCE: REVC (OHMS) 1.55
 VOICE COIL INDUCTANCE @ 1 kHz: LEVC (MH) 1.15
 DRIVER RADIATING AREA: SD (IN²) 131.94
 SD (CM²) 855.00
 MOTOR FORCE FACTOR: BL (TM) 7.53
 COMPLIANCE VOLUME: VAS (FT³) 18.74
 VAS (LITERS) 442.15
 SUSPENSION COMPLIANCE: CMS (µM/N) 425.93
 MOVING MASS, AIR LOAD: MMS (GRAMS) 151.90
 MOVING MASS, DIAPHRAGM: MMD (GRAMS) 137.61
 FREE-AIR RESONANCE: FS (HZ) 19.78
 MECHANICAL Q: QMS 9.70
 ELECTRICAL Q: QES 0.52
 TOTAL Q: QTS 0.49
 MAGNETIC-GAP HEIGHT: HAG (IN) 0.31
 HAG (MM) 7.92
 VOICE-COIL HEIGHT: HVC (IN) 0.88
 HVC (MM) 22.23
 MAXIMUM EXCURSION: XMAX (IN) 0.28
 XMAX (MM) 7.15

*VOICE COILS CONNECTED IN PARALLEL

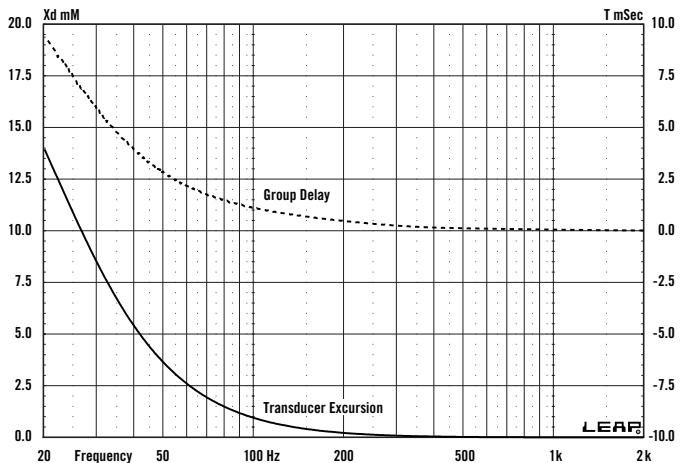
IMPEDANCE CURVE



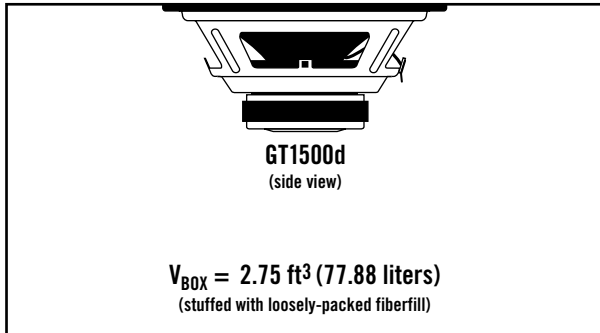
INFINITE Baffle FREQUENCY RESPONSE @ 2.83 V



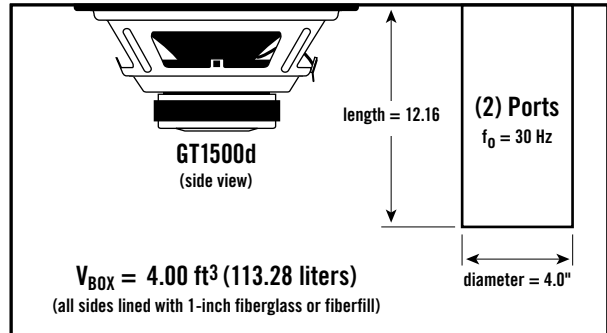
INFINITE Baffle EXCURSION/GROUP DELAY @ 50 W



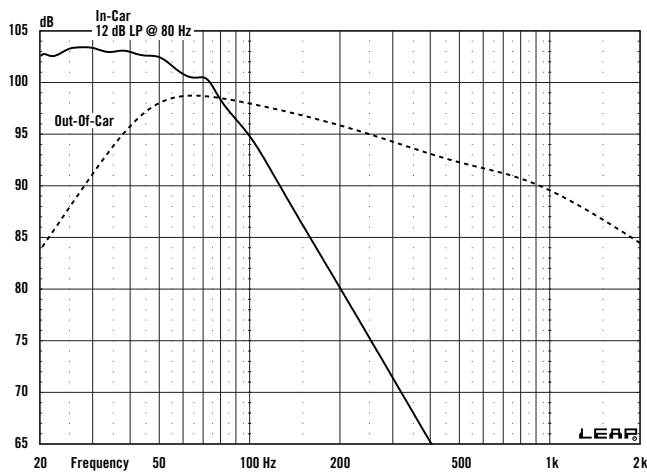
SEALED BOX VOLUME



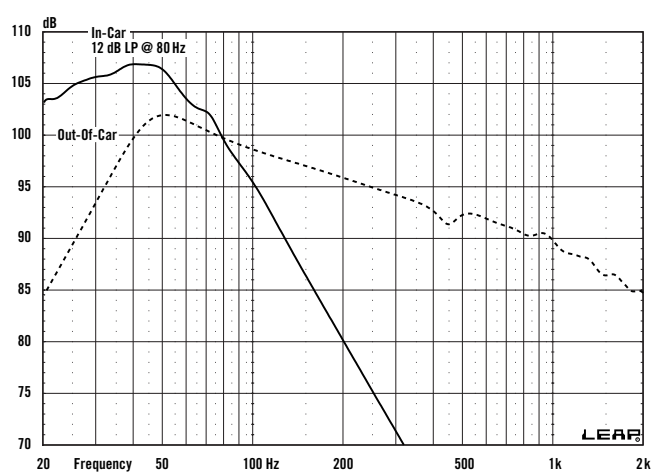
VENTED BOX VOLUME



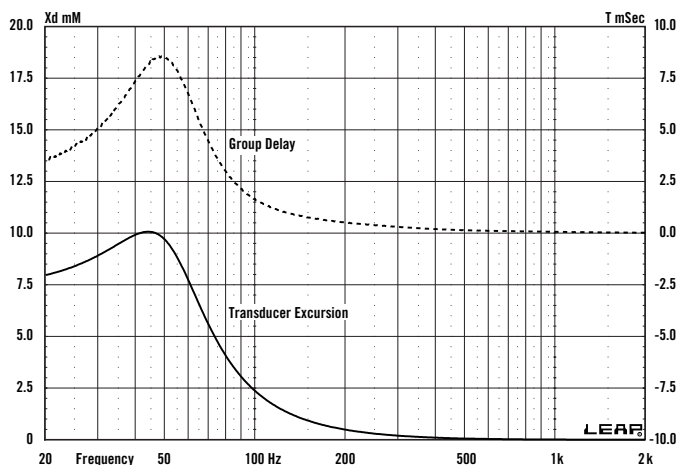
SEALED FREQUENCY RESPONSE @ 2.83 V



VENTED FREQUENCY RESPONSE @ 2.83 V



SEALED EXCURSION/GROUP DELAY @ 175 W



VENTED EXCURSION/GROUP DELAY @ 200 W

